

Job Name/Location:

Tag #:

Date:

For: File Resubmit

PO No.:

Approval Other _____

Architect:

GC:

Engr:

Mech:

Rep:

(Company)

(Project Manager)

PTVK430 Ventilation Kit



Unit Data:

Net Weight (lbs)	.11
Shipping Weight (lbs)	2.2

Insulation Properties:

Material	Plastic Resin
----------	---------------

Entering Mixed Air:

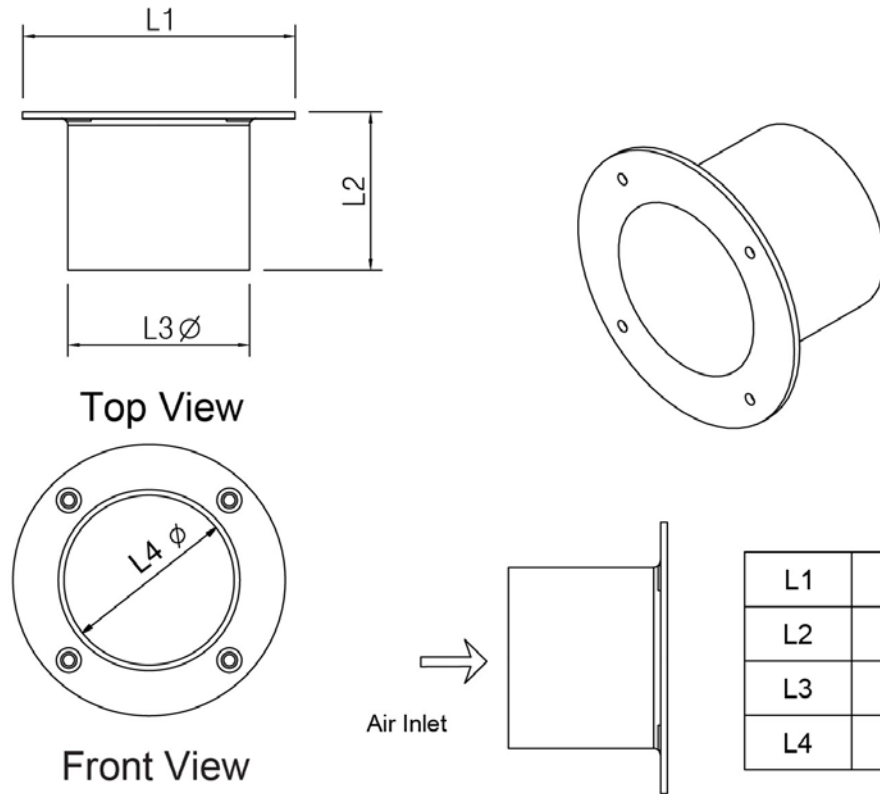
Cooling Max (°F WB)	76
Heating Min (°F DB)	59

Standard Features:

- Easy to install

Notes:

1. The PTVK430 is for use with 4-Way Ceiling Cassettes.
2. Must follow installation instructions in the applicable LG installation manual.



L1	4 3/4"
L2	2 3/4"
L3	3 1/8"
L4	2 15/16"

PTVK430
Ventilation Kit



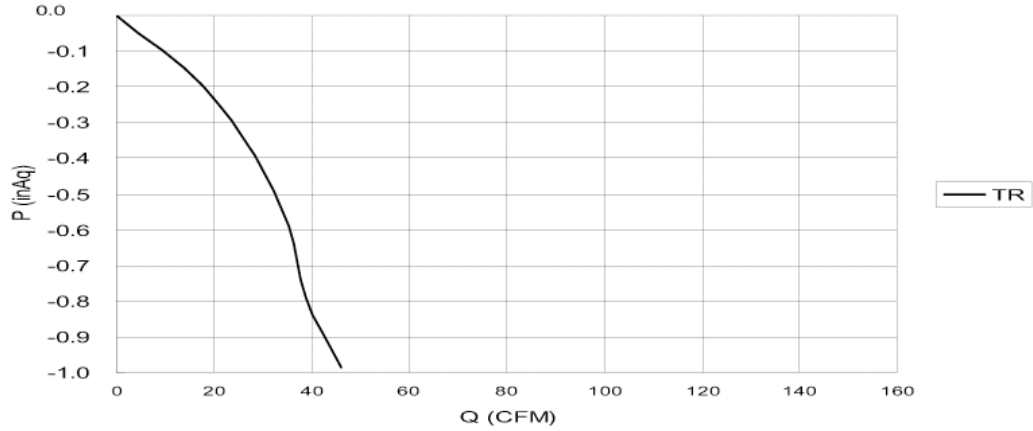
Tag #: _____

Date: _____

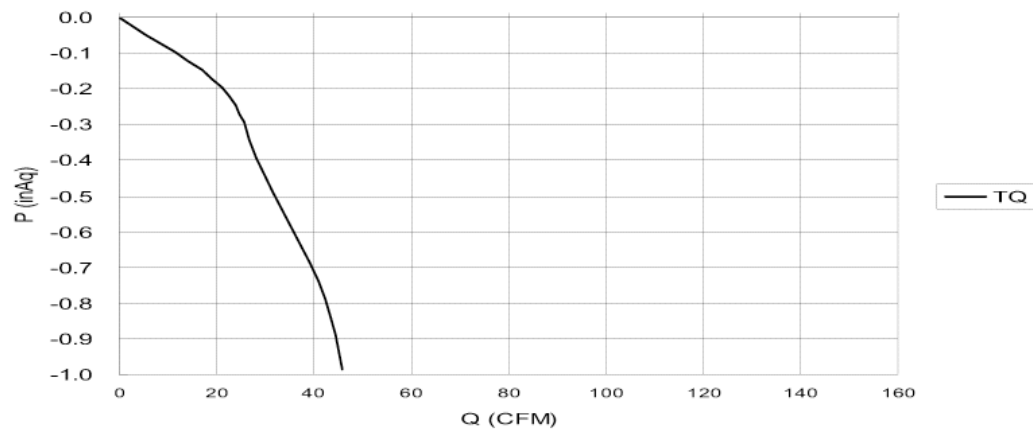
PO No.: _____

Airflow Capacity Versus Static Pressure:

4 Way Ceiling Cassette (TR)



4 Way Ceiling Cassette (TQ)



4 Way Ceiling Cassette (TP/TN/TM)

